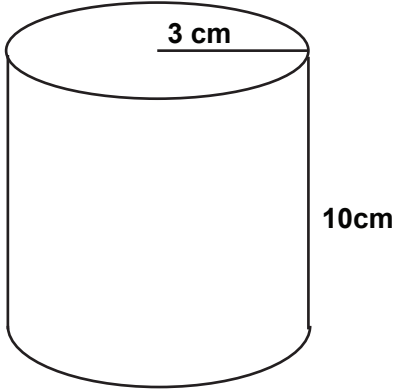


## Volume of Cylinder

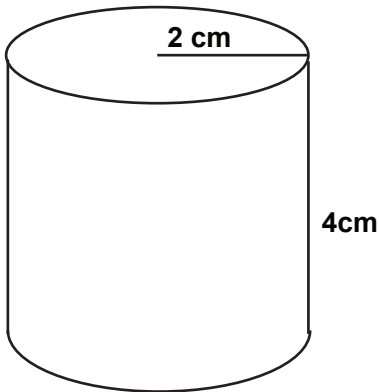
Name: \_\_\_\_\_

Class: \_\_\_\_\_

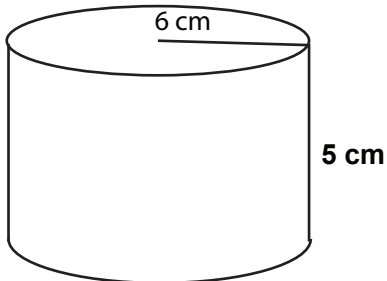
Find the volume of the following figures  $V = \pi r^2 \cdot h$



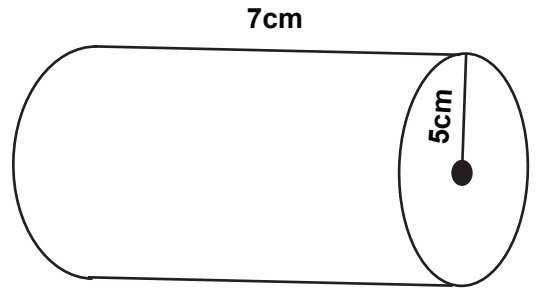
\_\_\_\_\_



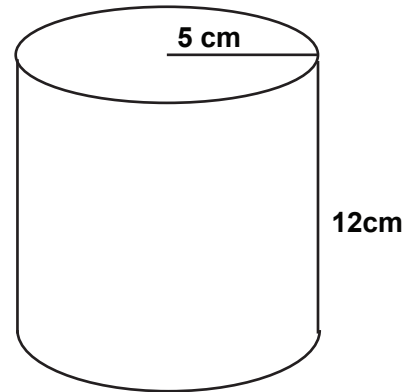
\_\_\_\_\_



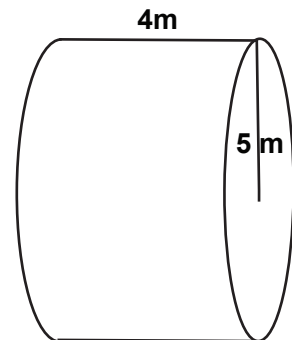
\_\_\_\_\_



\_\_\_\_\_



\_\_\_\_\_



\_\_\_\_\_

# Volume of Cylinder

Name: \_\_\_\_\_

Class: \_\_\_\_\_

Answers

Find the volume of the following figures  $A = \pi r^2 \cdot h$

