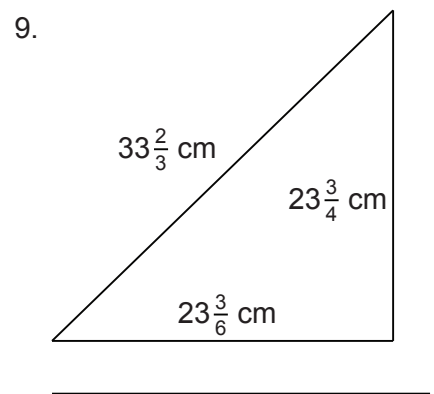
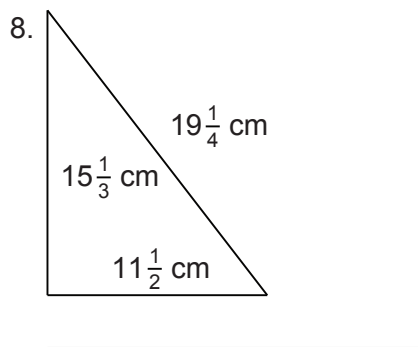
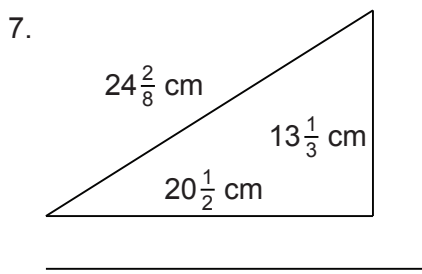
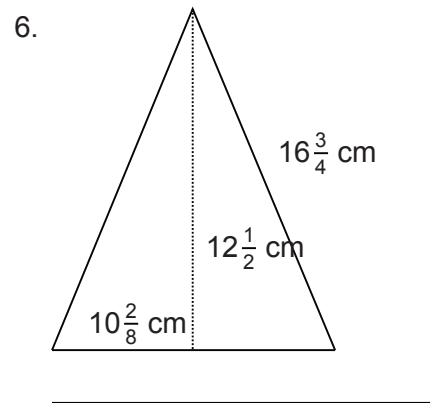
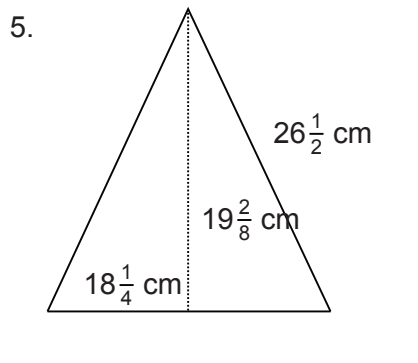
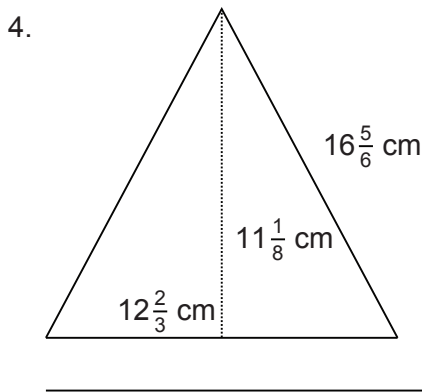
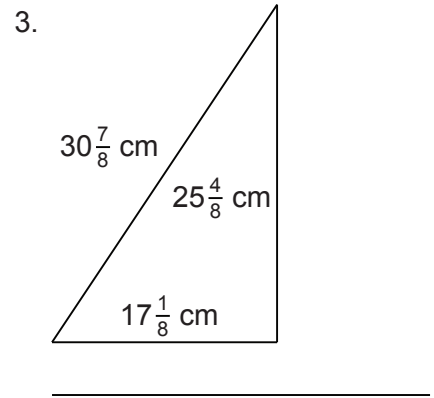
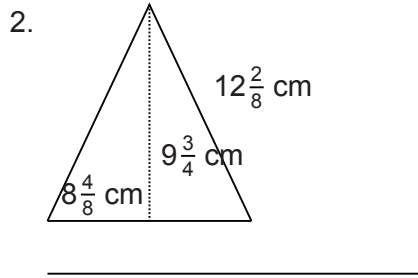
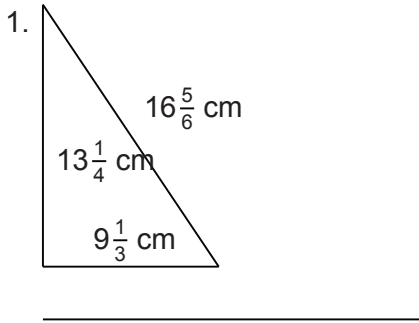


Name: _____

Class: _____

PERIMETER AND AREA

Find the perimeter and area.



Name: _____

Class: _____

PERIMETER AND AREA

Find the perimeter and area.

